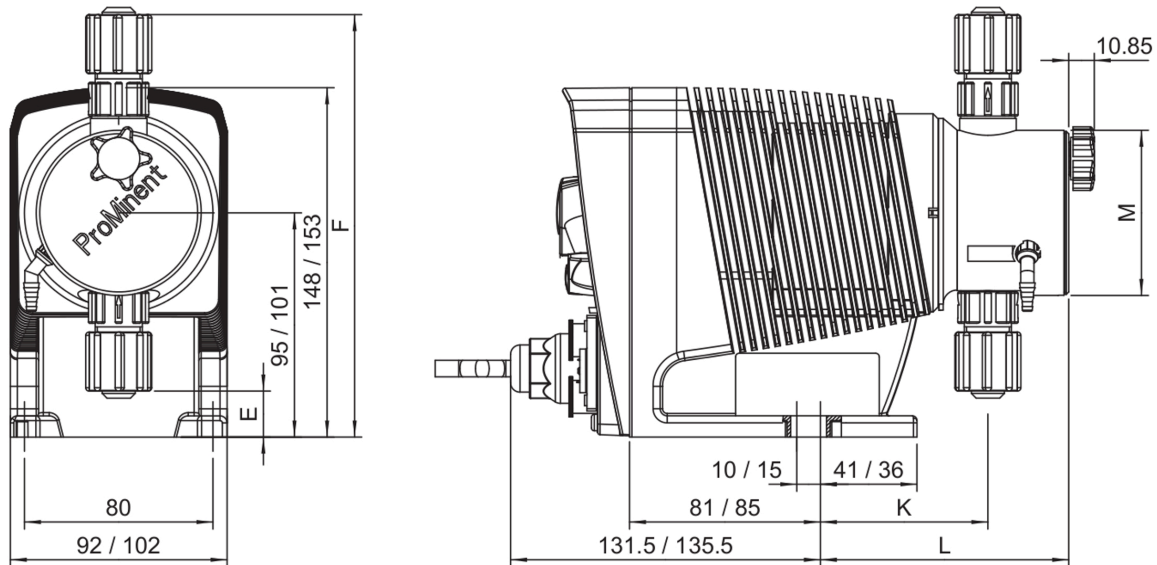


# Solenoid-Driven Metering Pump beta

Equipped with all the features and properties for superior process management.



Exemplary representation. The dimensions depend on the configuration chosen.

**All-purpose solenoid-driven metering pump for metering liquid media in water treatment and chemical processes: Solenoid-driven metering pump beta. Cost-effective, overload-proof, adaptable to existing signal transducers.**

## Technical Details

- External control via potential-free contacts with pulse step-up and step-down to adapt to existing signal transducers of 64:1 to 1:64
- Optional external control via 0/4 – 20 mA and potential-free contacts with pulse step-up and step-down of 32:1 to 1:32
- Stroke rate adjustment in 10% increments of 10 – 100% corresponds to 18 – 180 strokes/minute
- Continuous stroke length adjustment of 0 – 100% (recommended 30 – 100%)
- Connector for 2-stage level switch
- Wide-range electrical connection: 100 – 230 V, 50/60 Hz
- Optional relay module, can also be retrofitted easily and securely
- Low voltage design 12 – 24 V DC



# Solenoid-Driven Metering Pump beta

Equipped with all the features and properties for superior process management.

## Technical Data

| Pump type  | Pump capacity at max. back pressure |      |           | Delivery rate at medium back pressure |      |           | Stroke rate<br>Strokes/min | Connector size<br>o Ø x i Ø<br>mm | Suction lift*<br>m WC | Average power consumption<br>W | Shipping weight      |          |
|--|-------------------------------------|------|-----------|---------------------------------------|------|-----------|----------------------------|-----------------------------------|-----------------------|--------------------------------|----------------------|----------|
|  | bar                                 | l/h  | ml/stroke | bar                                   | l/h  | ml/stroke |                            |                                   |                       |                                | PP, NP, PV, TT<br>kg | SS<br>kg |
| <b>Metering pumps with non-self-bleeding dosing head</b>                     |                                     |      |           |                                       |      |           |                            |                                   |                       |                                |                      |          |
| BT4b 1000 **   | 10                                  | 0.74 | 0.07      | 5.0                                   | 0.82 | 0.08      | 180                        | 6 x 4                             | 6.0                   | 7.2                            | 2.9                  | 3.6      |
| BT4b 1601 **   | 16                                  | 1.1  | 0.10      | 8.0                                   | 1.4  | 0.13      | 180                        | 6 x 4                             | 6.0                   | 9.6                            | 2.9                  | 3.6      |
| BT4b 1602 **   | 16                                  | 2.2  | 0.20      | 8.0                                   | 2.5  | 0.24      | 180                        | 6 x 4                             | 6.0                   | 11.2                           | 2.9                  | 3.6      |
| BT4b 0708 **   | 7                                   | 7.1  | 0.66      | 3.5                                   | 8.4  | 0.78      | 180                        | 8 x 5                             | 4.0                   | 15.2                           | 3.1                  | 3.9      |
| BT4b 0220  | 2                                   | 19.0 | 1.76      | 1.0                                   | 20.9 | 1.94      | 180                        | 12 x 9                            | 2.0                   | 15.2                           | 3.3                  | 4.4      |
| BT4b 0413  | 4                                   | 12.3 | 1.14      | 2.0                                   | 14.2 | 1.31      | 180                        | 8 x 5                             | 3.0                   | 15.2                           | 3.1                  | 3.9      |
| BT4b 1604 **   | 16                                  | 3.6  | 0.33      | 8.0                                   | 4.3  | 0.40      | 180                        | 6 x 4                             | 5.0                   | 15.2                           | 3.1                  | 3.9      |
| BT5b 0232  | 2                                   | 32   | 2.96      | 1.0                                   | 36.2 | 3.35      | 180                        | 12 x 9                            | 2.0                   | 19.2                           | 5.1                  | 6.6      |
| BT5b 0420  | 4                                   | 17.1 | 1.58      | 2.0                                   | 19.1 | 1.77      | 180                        | 12 x 9                            | 3.0                   | 19.2                           | 4.7                  | 5.8      |
| BT5b 0713  | 7                                   | 11   | 1.02      | 3.5                                   | 13.1 | 1.21      | 180                        | 8 x 5                             | 3.0                   | 19.2                           | 4.5                  | 5.3      |
| BT5b 1008  | 10                                  | 6.8  | 0.63      | 5.0                                   | 8.3  | 0.76      | 180                        | 8 x 5                             | 3.0                   | 19.2                           | 4.5                  | 5.3      |
| BT5b 2504  | 25<br>***                           | 2.9  | 0.27      | 10.0                                  | 5.0  | 0.46      | 180                        | 8 x 4                             | 4.0                   | 19.2                           | 4.5                  | 5.3      |
| <b>Metering pumps with self-degassing dosing head (dosing head design 7)</b> |                                     |      |           |                                       |      |           |                            |                                   |                       |                                |                      |          |
| BT4b 1602 **   | 10                                  | 1.4  | 0.13      | 8.0                                   | 1.7  | 0.16      | 180                        | 6 x 4                             | 1.8                   | 11.2                           | 2.9                  | -        |
| BT4b 1604 **   | 10                                  | 2.7  | 0.25      | 8.0                                   | 3.6  | 0.33      | 180                        | 6 x 4                             | 1.8                   | 15.2                           | 3.1                  | -        |
| BT4b 0220  | 2                                   | 16.2 | 1.50      | 1.0                                   | 18.0 | 1.67      | 180                        | 12 x 9                            | 2.0                   | 15.2                           | 3.3                  | -        |
| BT4b 0413  | 4                                   | 10.8 | 1.00      | 2.0                                   | 12.6 | 1.17      | 180                        | 8 x 5                             | 1.8                   | 15.2                           | 3.1                  | -        |
| BT4b 0708 **   | 7                                   | 6.6  | 0.61      | 3.5                                   | 7.5  | 0.69      | 180                        | 8 x 5                             | 1.8                   | 15.2                           | 3.1                  | -        |
| BT5b 0713  | 7                                   | 10.5 | 0.97      | 3.5                                   | 12.3 | 1.14      | 180                        | 8 x 5                             | 1.8                   | 19.2                           | 4.5                  | -        |
| BT5b 0420  | 4                                   | 15.6 | 1.44      | 2.0                                   | 17.4 | 1.61      | 180                        | 12 x 9                            | 1.8                   | 19.2                           | 4.7                  | -        |
| BT5b 1008  | 10                                  | 6.3  | 0.58      | 5.0                                   | 7.5  | 0.69      | 180                        | 8 x 5                             | 1.8                   | 19.2                           | 4.5                  | -        |

\* Suction lift with a filled dosing head and filled suction line, with a self-bleeding dosing head with air in the suction line.

\*\* Pressure-reduced pump types are available in the pressure stages 4, 7 and 10 bar for special applications, for example in the swimming pool sector. More detailed information is available upon request.

\*\*\* 25 bar variant only available with dosing head material NP or SS

beta b metering pumps with dosing heads for higher-viscosity media have a 10 – 20 % lower capacity and are not self-priming with all feed chemicals. G 3/4-DN 10 connector with d 16-DN 10 hose nozzle.

All data calculated with water at 20 °C.

## Materials in Contact with the Medium

| Identity code of material | Dosing head            | Connection on suction/discharge side | Ball seat | Seals | Balls   |
|---------------------------|------------------------|--------------------------------------|-----------|-------|---------|
| PVT                       | PVDF                   | PVDF                                 | PVDF      | PTFE  | Ceramic |
| PPT                       | Polypropylene          | PVDF                                 | PVDF      | PTFE  | Ceramic |
| PPE                       | Polypropylene          | Polypropylene                        | EPDM      | EPDM  | Ceramic |
| PPB                       | Polypropylene          | Polypropylene                        | FKM A     | FKM A | Ceramic |
| NPT                       | Clear acrylic          | PVDF                                 | PVDF      | PTFE  | Ceramic |
| NPE                       | Clear acrylic          | PVC                                  | EPDM      | EPDM  | Ceramic |
| NPB                       | Clear acrylic          | PVC                                  | FKM A     | FKM A | Ceramic |
| SST                       | Stainless steel 1.4404 | Stainless steel 1.4404               | Ceramic   | PTFE  | Ceramic |
| TTT                       | Carbon-filled PTFE     | Carbon-filled PTFE                   | Ceramic   | PTFE  | Ceramic |

Metering reproducibility: ± 2% when used according to the operating instructions.

# Solenoid-Driven Metering Pump beta

**Equipped with all the features and properties for superior process management.**

---

Permissible ambient temperature  $-10\text{ }^{\circ}\text{C}$  to  $+45\text{ }^{\circ}\text{C}$ .

Degree of protection: IP 66, insulation class F

**Scope of supply**

**Metering pump with mains cable, connector kit for hose/tube connector as per table.**